

# LGP SERIES



LGP20-H (08385200045) product + packaging shown.

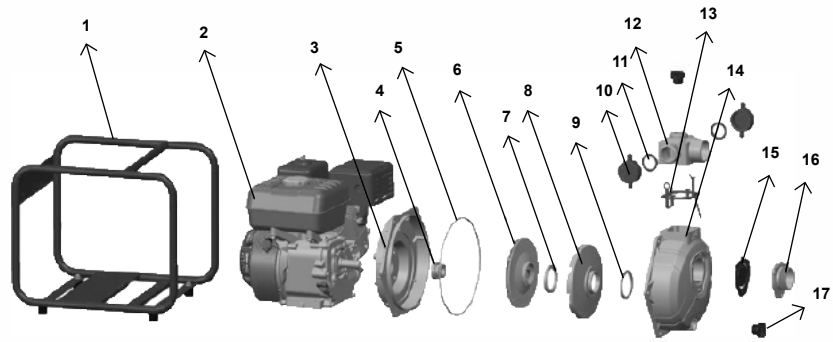
## Single cylinder, 4-stroke, air-cooled engine.

- New unique design with ergonomic feature.
- Portable and compact pump frame.
- High quality motor with excellent performance and long service life.
- Impeller designed with high efficiency hydraulic system.
- Low fuel consumption.
- Transfer clean water with liquid temperature between 0°C and 40°C.
- Applicable in water supply and drainage for factories, mines, municipal facilities as well as field irrigation.

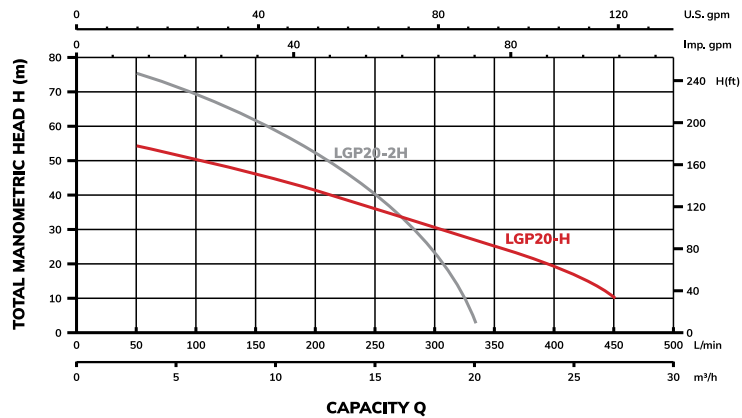
- **Max. suction:** 6m/120s.
- **Max. power:** 6.5HP
- **Inlet/Outlet:** 50mm/ 2x38mm + 1x50mm
- **Rated speed:** 3600rpm
- **Displacement:** 196cc.
- **Anti-rust cast iron diffuser.**

## MATERIALS

| No. | Part              | Material       |
|-----|-------------------|----------------|
| 1   | Frame             | Steel          |
| 2   | Engine            |                |
| 3   | Bracket           | Aluminium      |
| 4   | Mechanical seal   | Carbon/Ceramic |
| 5   | O-ring            | NBR            |
| 6   | Impeller          | Aluminium      |
| 7   | Seal ring         | NBR            |
| 8   | Diffuser          | HT200          |
| 9   | Seal ring         | NBR            |
| 10  | Pipe blanking cap | PP             |
| 11  | Seal ring         | NBR            |
| 12  | Outlet            | Aluminium      |
| 13  | Gasket            | NBR            |
| 14  | Pump body         | Aluminium      |
| 15  | Non-return valve  | NBR            |
| 16  | Inlet             | Aluminium      |
| 17  | Filling plug      | PA6            |



## HYDRAULIC PERFORMANCE CURVES

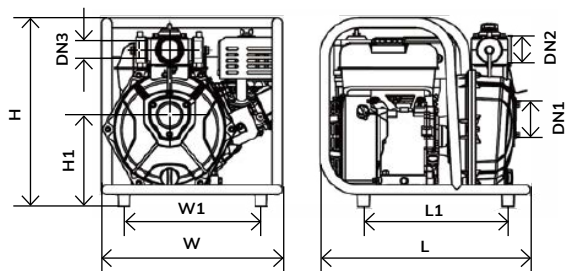


## TECHNICAL DATA

| Model    | Power | Q (m³/h)  | 0  | 5    | 10    | 15  | 20    | 25    | 30  |
|----------|-------|-----------|----|------|-------|-----|-------|-------|-----|
|          | HP    | Q (l/min) | 0  | 83.3 | 166.7 | 250 | 333.3 | 416.7 | 500 |
| LGP20-H  | 6.5   | H (m)     | 55 | 52   | 44.3  | 36  | 27    | 17    | 2.5 |
| LGP20-2H | 6.5   |           | 80 | 77   | 63    | 42  | 5     | -     | -   |

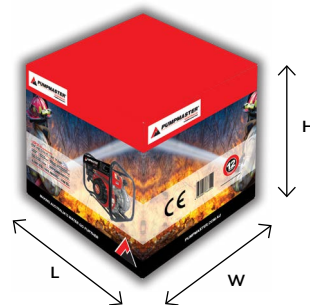
## DIMENSIONS

| Model    | DN1 | DN2 | 2x DN3 | L (mm) | W (mm) | H (mm) | L1 (mm) | W1 (mm) | H1 (mm) |
|----------|-----|-----|--------|--------|--------|--------|---------|---------|---------|
| LGP20-H  | 2"  | 2"  | 1.5"   | 463    | 397    | 412    | 318     | 300     | 200     |
| LGP20-2H | 2"  | 2"  | 1.5"   | 463    | 397    | 412    | 318     | 300     | 200     |



## PACKAGE INFORMATION

| Model    | GW (kg) | L (mm) | W (mm) | H (mm) | QTY (PCS/20'TEU) |
|----------|---------|--------|--------|--------|------------------|
| LGP20-H  | 22.22   | 470    | 412    | 432    | 340              |
| LGP20-2H | 22.24   | 470    | 412    | 432    | 340              |



Please contact **National Customer Service** on 1300 252 677 or [sales.au@normagroup.com](mailto:sales.au@normagroup.com)